

# OWNER'S MANUAL

## HP 552 / DFT 650

### INSTALLATION, OPERATION, MAINTENANCE & PARTS

NOTE: MANUAL including SPECIFICATIONS, subject to change without notice.  
not vehicle capacities or capabilities.

Miller Industries Towing Equipment Inc.  
8503 Hilltop Drive  
Ooltewah, Tennessee 37363

Phone (423) 238-4171 • FAX (423) 238-5371

FORM NO. 0500743  
9 / 94

PRICE \$25.00

## LIMITED WARRANTY

MILLER INDUSTRIES TOWING EQUIPMENT INC., hereinafter referred to as MILLER, warrants to the original purchaser that each new MILLER wrecker or other MILLER products will be free from defects in material and workmanship for a period of twelve (12) months from date placed in service, but in no event shall such warranty period exceed twenty-four (24) months from date of manufacture by MILLER. The purchaser must promptly notify MILLER in writing of any failure in material or workmanship. In no event shall MILLER accept such notification later than twenty-four (24) months from date of delivery or twelve (12) months from date placed in service, whichever is earlier.

MILLER's obligation under this warranty, statutory or otherwise, is limited to the repair or replacement at the MILLER factory, or at a point designated by MILLER, of such part or parts as shall appear upon inspection by MILLER to be defective in material or workmanship. New or remanufactured parts will be used for any replacement at MILLER's option. This warranty is not transferable. This warranty does not obligate MILLER to bear the cost of labor or transportation charges in connection with the repair or replacement of any parts found to be defective, nor shall it apply to a product upon which repairs or alterations have been made unless authorized by MILLER.

EXCEPT AS EXPRESSLY SET FORTH IN THIS WARRANTY, MILLER MAKES NO OTHER WARRANTY, EXPRESS OR IMPLIED, AND HEREBY DISCLAIMS ALL OTHER WARRANTIES INCLUDING, BUT NOT LIMITED TO, THE IMPLIED WARRANTIES OF MERCHANTABILITY AND FITNESS FOR A PARTICULAR PURPOSE. MILLER shall in no event be liable for claimed downtime, claimed loss of profits or goodwill, or any other special, incidental, indirect, or consequential damages concerning or relating to any product or parts, whether based on negligence, strict liability, breach of contract, breach of warranty, misrepresentation or any other legal theory, regardless of whether the loss resulted from any general or particular requirement which MILLER knew or had reason to know about at the time of sale.

MILLER MAKES NO WARRANTY, EXPRESS OR IMPLIED, AS TO THE FINISHED PRODUCTS MANUFACTURED OR SUPPLIED BY ANOTHER MANUFACTURER AND SUPPLIED BY MILLER TO PURCHASER, including, but not limited to, any vehicle to which a MILLER product may be affixed or any accessories or wire rope, and MILLER EXPRESSLY DISCLAIMS ANY IMPLIED WARRANTIES OF MERCHANTABILITY OR FITNESS FOR A PARTICULAR PURPOSE AS TO SUCH EQUIPMENT OR PRODUCTS. This language shall in no way affect or diminish the rights of the purchaser to rely on such warranties as are extended by such manufacturers or suppliers. MILLER shall, to the extent permitted under applicable law, pass on to the purchaser such manufacturer's or seller's warranty.

MILLER, whose policy is one of continuous improvement, reserves the right to improve its products through changes in design or materials as it may deem desirable without being obligated to incorporate such changes in products previously sold. This warranty is not intended to cover or include the following items, which are set forth by way of example and not limitation:

- A. Normal deterioration of trim, paint, lettering, and appearance items due to wear or exposure to weather, road conditions, road treatments, etc.
- B. Any damage or defect due to accident, misuse, abuse, improper or unauthorized repairs, failure to provide reasonable and necessary maintenance, or uses for which the equipment was not designed or intended.
- C. Alterations or modifications that affect performance, operation or reliability.
- D. Normal maintenance parts including, but not limited to, wear pads, bushings, wire rope, mud flaps, fenderettes, light bulbs, hydraulic oil, filters, and tow sling belts.

**IT IS EXPRESSLY UNDERSTOOD THAT MILLER MAKES NO IMPLIED WARRANTY THAT MILLER PRODUCTS SHALL BE FIT FOR THE PURPOSE OF LIFTING OR MOVING PEOPLE OR FOR ANY OTHER IMPROPER USE.**



Miller Industries Towing Equipment Inc.  
8503 Hilltop Drive  
Ooltewah, Tennessee 37363

Telephone (423) 238-7227

**SERIAL NUMBER**

## Section VI - PARTS

This Section is provided by the manufacturer for the purpose of ordering any component part of the HOLMES 552 Wrecker that may be required when part replacement is necessary. Be certain to use only original equipment replacement parts for warranty purposes as well as for keeping your HOLMES 552 Wrecker in its original state and optimum operating capacities.

When ordering replacement or spare parts be sure to provide the following information to the manufacturer's Parts Department.

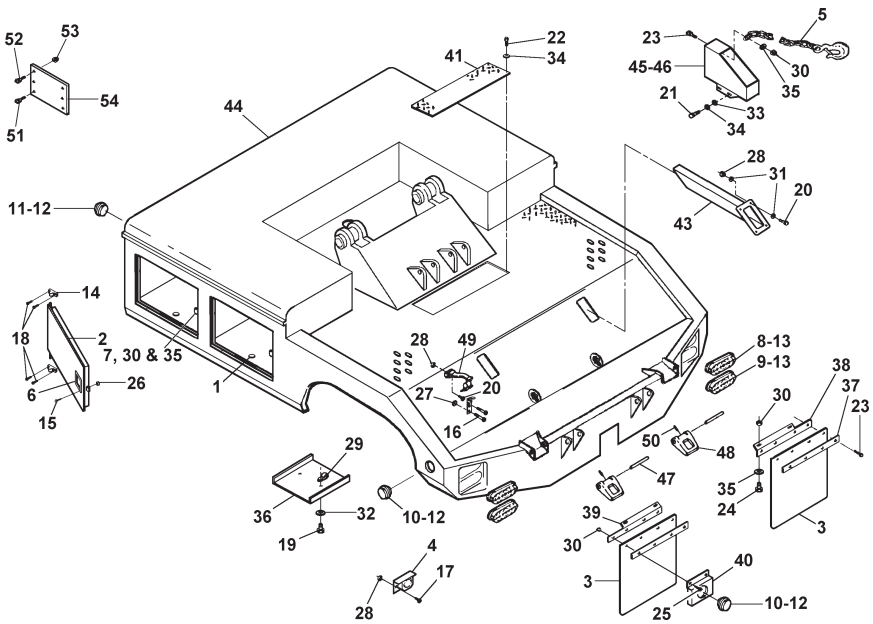
1. **Manual Number & Date of Publication**
2. **Manual Page Number**
3. **Page Title**
4. **Reference Number of Part Desired**
5. **Part Number**
6. **Part Description**
7. **Quantity of Part Desired**

Providing this information will help ensure that the correct parts will be delivered to you in an expedient manner without delay. Should additional information be required for repair or replacement of certain components, contact your Wrecker Manufacturer Authorized Representative.

The Manufacturer reserves the right, without notice or obligation, to improve or modify their products, which may change the specifications, models and feature availability.

# Section VI - PARTS (cont'd)

## BODY ASSEMBLY



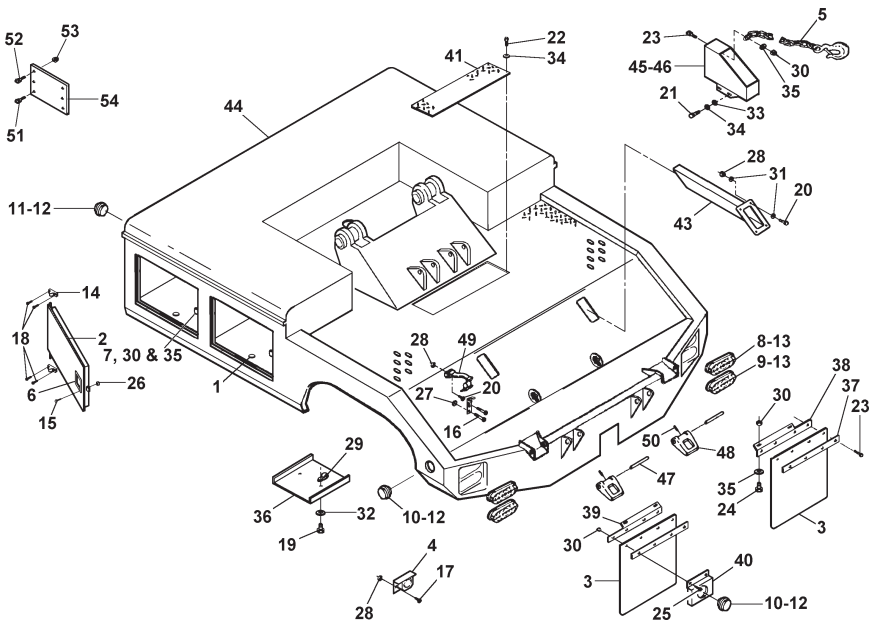
## Section VI - PARTS (cont'd)

### BODY ASSEMBLY

REF. NO.	NO. REQ'D	PART NUMBER	DESCRIPTION
1	4	0300032	PLUG, 1" HOLE
2	28 FT.	0300844	SPONGE, 3/4" X 1/8" W/ ADHBK
3	2	0302173	MUDFLAP, BLACK W/ RWL (GO138B)
4	1	0303061	BACK UP ALARM
5	2	0303116	3/8" X 10' CHAIN ASSEMBLY
6	4	0303120	LATCH, PADDLE
7	4	0303121	STRIKER BOLT
8	2	0303123	LIGHT, SEALED RED, STOP & TURN
9	2	0303124	LIGHT, SEALED WHITE, BACKUP
10	4	0303125	LIGHT, SEALED MARKER, RED
11	2	0303126	LIGHT, SEALED MARKER, AMBER
12	6	0303127	GROMMET, MARKER LIGHT
13	4	0303128	GROMMET, TAIL LIGHT
14	8	0304264	HINGE, DOOR
15	16	0400021	SCREW, #8-32 X 1/2" RD HD PHILLIPS
16	4	0400036	SCREW, #10-32 X 1" RD HD MCH
17	2	0400057	SCREW, 1/4-20 X 1-1/4" HEX HD CAP
18	24	0400062	SCREW, 1/4"-20 X 3/4" TYPE "F" THD CUT
19	4	0400066	SCREW, 1/4-20 X 3/4" HEX HD CAP
20	14	0400070	SCREW, 1/4-20 X 1" HEX HD CAP
21	4	0400103	SCREW, 5/16"-18 X 1-1/4" HEX HD CAP
22	8	0400109	SCREW, 5/16"-18 X 1" HEX HD CAP
23	8	0400122	SCREW, 3/8"-16 X 1-1/4" HEX HD CAP
24	4	0400126	SCREW, 3/8"-16 X 1" HEX HD CAP
25	2	0400132	SCREW, 3/8"-16 X 1-1/2" HEX HD CAP
26	16	0400351	NUT & STAR WASHER, #8-32 HEX
27	4	0400357	NUT, #10-32 NYLOK HEX

# Section VI - PARTS (cont'd)

## BODY ASSEMBLY (cont'd)



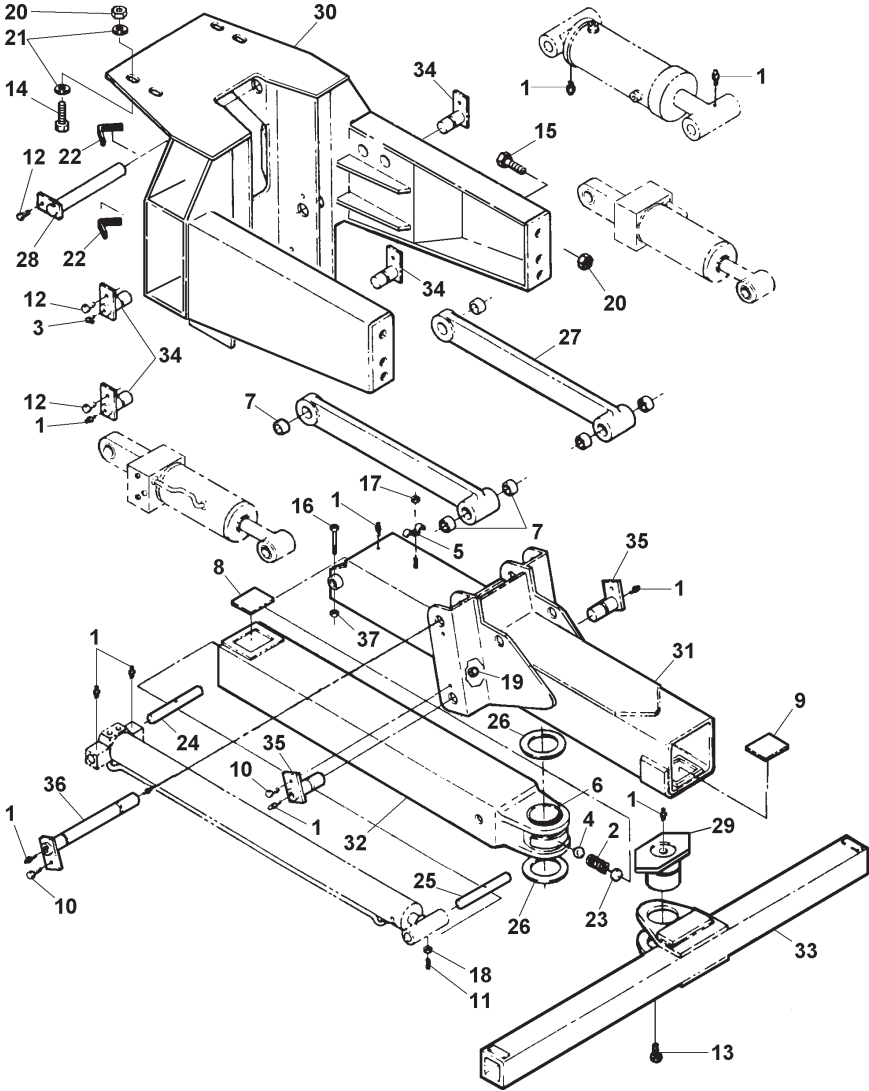
## Section VI - PARTS (cont'd)

### BODY ASSEMBLY (cont'd)

REF. NO.	NO. REQ'D	PART NUMBER	DESCRIPTION
28	12	0400367	NUT, 1/4"-20 NYLOK HEX
29	4	0400370	CLIP, 1/4" "U" TYPE TINNERMAN
30	18	0400392	NUT, 3/8"-16 NYLOK HEX
31	16	0400451	WASHER, 1/4" FLAT
32	4	0400452	LOCKWASHER, 1/4" HELICAL
33	4	0400463	WASHER, 5/16" FLAT
34	12	0400464	LOCKWASHER, 5/16" HELICAL
35	10	0400480	WASHER, 3/8" FLAT
36	2	0704516	GUARD, CONTROL STATION
37	2	0705092	BAR, MUDFLAP
38	1	0708809	MUDFLAP MOUNTING ANGLE, RIGHT
39	1	0708810	MUDFLAP MOUNTING ANGLE, LEFT
40	2	0710198	BRACKET, MARKER LIGHT
41	1	0710212	ACCESS COVER, VALVE
42	1	0710213	ACCESS COVER, FILTER
43	2	0802565	STORAGE TUBE WELDMENT
44	1	0803424	BODY WELDMENT - 552 84 C.A. 90 WIDE
45	1	0802924	LT CHAIN BOX WELDMENT
46	1	0802925	RT CHAIN BOX WELDMENT
47	2	BA0259	PIN, "D" RING
48	2	BA0283	"D" RING
49	2	GR400	RUBBER CATCH, HOOD, HD 8"
50	2	HD0106	SPRING PIN, 1/4" X 1-3/4"
51	8	0400181	SCREW, 1/2"-13 X 1-1/2" HEX HD CAP
52	4	0400205	SCREW, 1/2"-13 X 3" HEX HD CAP
53	12	0400408	NUT, 1/2"-13 NYLOK HEX
54	2	0710173	TOOLBOX MOUNTING PLATE

# Section VI - PARTS (cont'd)

## DFT 650 WHEEL LIFT ASSEMBLY





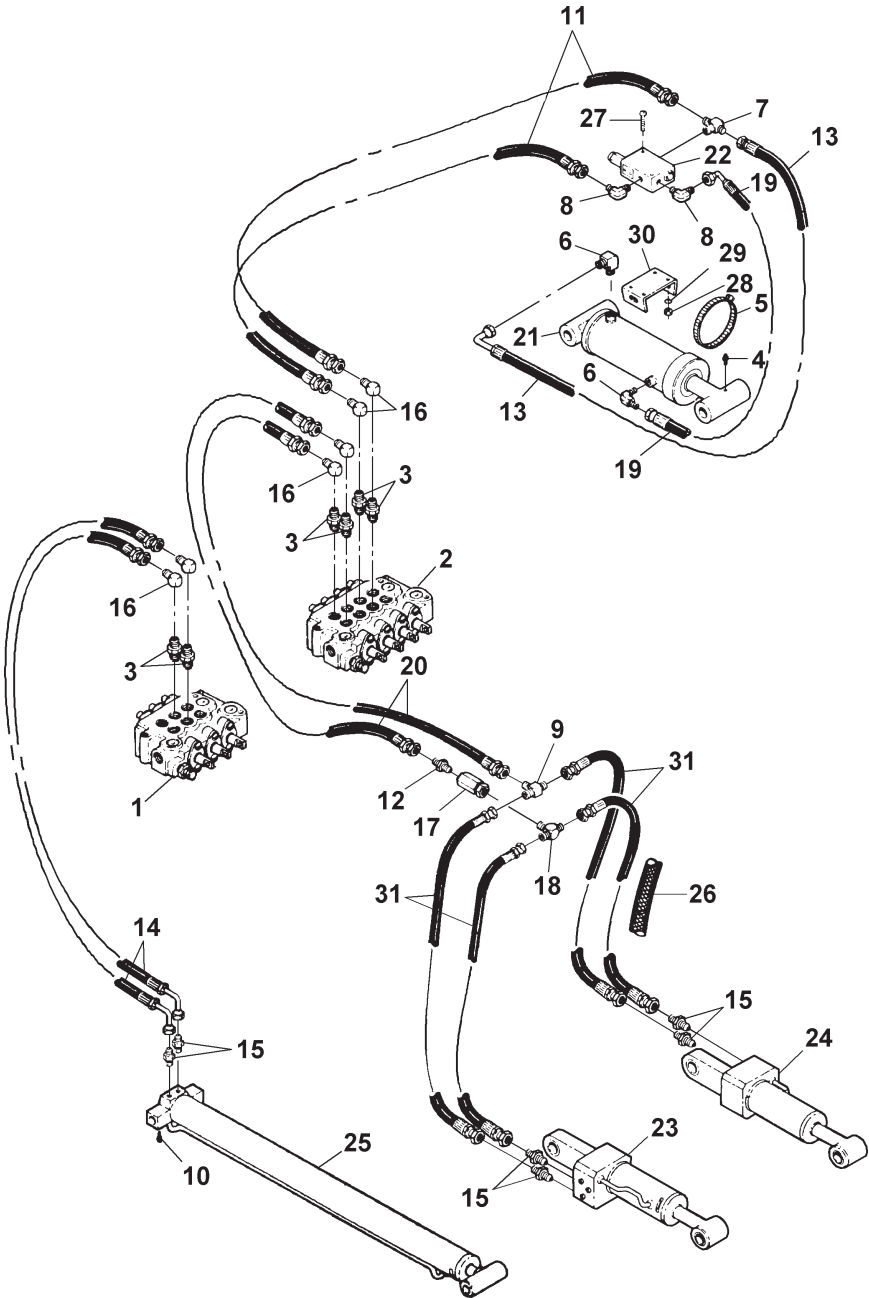
## Section VI - PARTS (cont'd)

### DFT 650 WHEEL LIFT ASSEMBLY

REF. NO.	NO. REQ'D	PART NUMBER	DESCRIPTION
1	13	0300113	GREASE FITTING, ALEMITE
2	1	0301197	SPRING, DETENT
3	2	0301397	GREASE FITTING, ALEMITE
4	1	0301398	BALL, DETENT
5	2	0301601	CLAMP, HOSE
6	1	0301914	BEARING, INNER BOOM
7	12	0303016	BUSHING
8	1	0303067	SLIDE PAD, INNER BOOM, NYLATRON
9	1	0303068	SLIDE PAD, OUTER BOOM, NYLATRON
10	3	0400128	SCREW, 3/8"-16 X 1-1/4" FLT HD SKT SET
11	1	0400139	SCREW, 3/8"-16 X 1-1/2" HEX SKT SET
12	5	0400141	SCREW, 3/8"-16 X 7/8" HEX HD CAP
13	2	0400193	SCREW, 1/2"-13 X 1-1/2" FLT HD SKT SET
14	4	0400260	SCREW, 5/8"-11 X 2" HEX HD CAP
15	4	0400264	SCREW, 5/8"-11 X 2-1/4" HEX HD CAP
16	1	0400078	SCREW, 1/4"-20 X 2" HEX HD CAP
17	1	0400366	NUT, 1/4"-20 NYLOK
18	1	0400392	NUT, 3/8"-16 NYLOK HEX
19	8	0400398	NUT, HALF, 3/8"-16 NYLOK
20	8	0400421	NUT, 5/8"-11 NYLOK HEX
21	8	0400506	WASHER, 5/8" FLAT
22	4	0703422	HOSE GUARD
23	1	0708470	SPACER, DETENT BALL
24	1	0709535	PIN, EXT CYL, BASE
25	1	0709536	PIN, EXT CYL, ROD
26	2	0710092	THRUST WASHER
27	2	0801157	UPPER ARM WELDMENT
28	1	0802820	PIN WELDMENT, LIFT CYL BASE
29	1	0802903	PIVOT PIN WELDMENT
30	1	0803099	FRAME WELDMENT
31	1	0803100	OUTER BOOM WELDMENT
32	1	0802948	INNER BOOM WELDMENT
33	1	0802951	INNER CROSSBAR WELDMENT
34	4	0802952	PIN WELDMENT, ARMS @ FRAME
35	2	0803101	PIN WELDMENT, ARMS @ BOOM
36	1	0803102	PIN WELDMENT, LIFT CYL ROD
37	1	0400367	NUT, 1/4"-20 NYLOK HEX

# Section VI - PARTS (cont'd)

## DFT 650 WHEEL LIFT HYDRAULICS



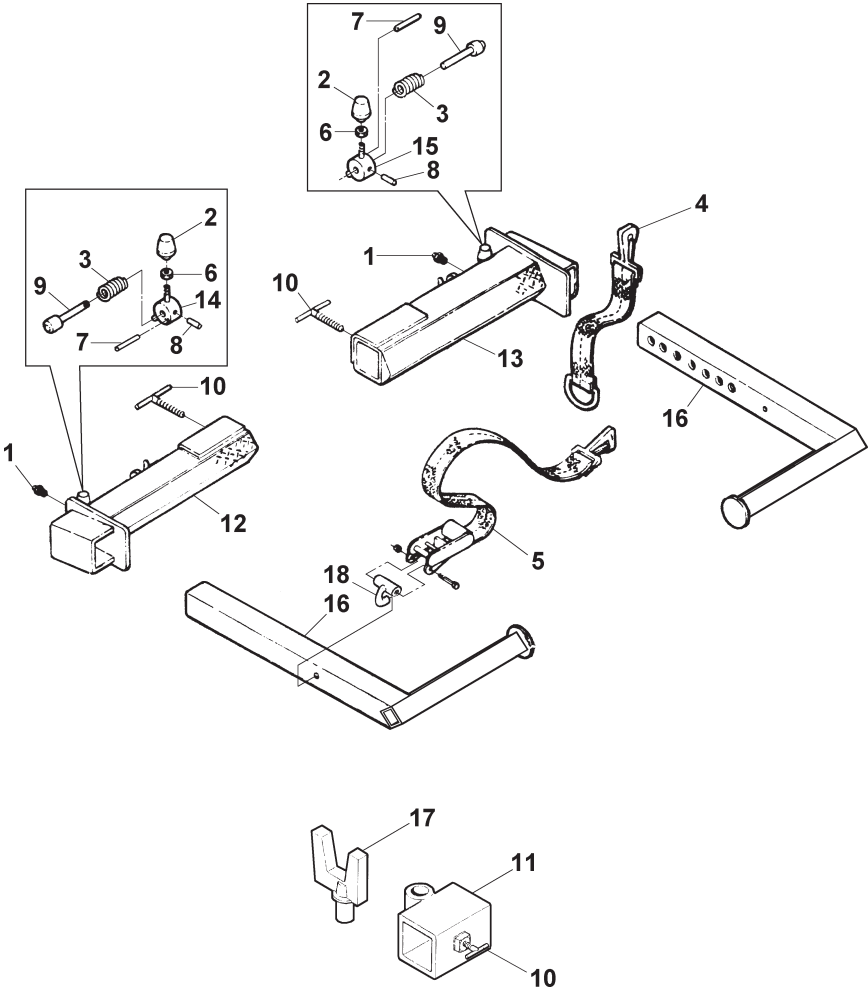
## Section VI - PARTS (cont'd)

### DFT 650 WHEEL LIFT HYDRAULICS

REF. NO.	NO. REQ'D	PART NUMBER	DESCRIPTION
1	REF.	0300010	3-SPOOL VALVE
2	REF.	0300011	4-SPOOL VALVE
3	6	0300044	CONNECTOR, 6MJ-8MB
4	2	0300113	GREASE FITTING, ALEMITE
5	1	0300133	CLAMP, HOLDING VALVE
6	2	0300142	ELBOW, 6MJ-4MP90
7	1	0300206	BRANCHTEE, 6MJ-6MJ-4MP
8	2	0300209	ELBOW, 6MJ-6MP90
9	1	0301377	TEE, 6MJ-6MJ-6MJ
10	2	0301397	GREASE FITTING, ALEMITE 90°
11	2	0301402	HOSE, LIFT CYL, 45"
12	1	0301425	CONNECTOR, 6MJ-6MP
13	1	0301473	HOSE ASSEMBLY, 18"
14	2	0301485	HOSE ASSEMBLY, 81"
15	6	0301522	CONNECTOR, 6MJ-6MB
16	6	0301696	ELBOW, 6MJ-6FJX90
17	1	0303489	VALVE, RESTRICTOR
18	1	0301855	TEE, 6MJ-6MJ-6MP
19	1	0301900	HOSE ASSEMBLY, 18"
20	2	0301902	HOSE ASSEMBLY, 35"
21	1	0302341	CYLINDER, LIFT
22	1	0302476	HOLDING VALVE, 3000 PSI
23	1	0303256	CYLINDER, TILT, L.H.
24	1	0303257	CYLINDER, TILT, R.H.
25	1	0303065	CYLINDER, EXTEND
26	20 FT.	0303193	SKUFF JACKET
27	2	0400069	SCREW, 1/4"-20 X 2" RD HD SLOTTED
28	2	0400366	NUT, 1/4"-20 HEX
29	2	0400452	LOCKWASHER, 1/4" HELICAL
30	1	0703001	BRACKET, CHECK VALVE MOUNTING
31	4	0302601	HOSE ASSEMBLY, 40"

# Section VI - PARTS (cont'd)

## OUTER CROSSTUBE & TIRE RESTRAINT ASSEMBLY



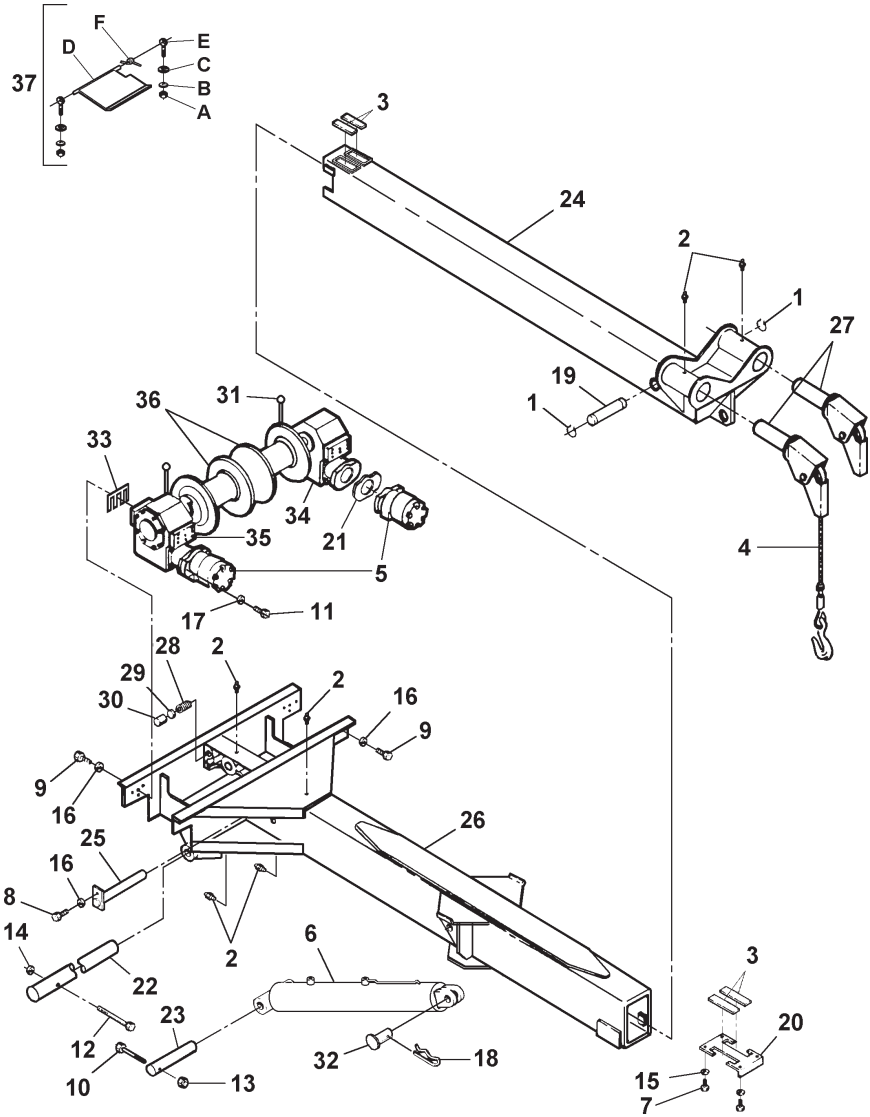
## Section VI - PARTS (cont'd)

### OUTER CROSSTUBE & TIRE RESTRAINT ASSEMBLY

REF. NO.	NO. REQ'D	PART NUMBER	DESCRIPTION
--	1	0901406	OUTER CROSSTUBE, LEFT, (COMPLETE)
--	1	0901407	OUTER CROSSTUBE, RIGHT, (COMPLETE)
1	2	0300113	GREASE FITTING, ALEMITE
2	2	0300341	KNOB
3	2	0301417	SPRING, PLUNGER PIN
4	2	0301681	TIRE RESTRAINT BELT EXTENSION
5	2	0301682	TIRE RESTRAINT BELT ASSEMBLY
6	2	0400393	NUT, 3/8"-16 HEX JAM
7	2	0400559	PIN, 3/16" X 1" ROLL
8	2	0400560	PIN, 5/32" X 1" ROLL
9	2	0706688	PIN, PLUNGER
10	4	0800590	HANDLE, TEE
11	2	0800861	BRACKET, FORK LIFT
12	1	0801508	CROSSTUBE, LEFT OUTER
13	1	0801509	CROSSTUBE, RIGHT OUTER
14	1	0802069	HANDLE, PLUNGER PIN, LEFT
15	1	0802070	HANDLE, PLUNGER PIN, RIGHT
16	1	0903475	TIRE RESTRAINT, LEFT
	1	0903481	TIRE RESTRAINT, RIGHT
17	2	0802804	FORK, SHORT (3" OPENING)
18	2	BA0603	HOOK, RATCHET

# Section VI - PARTS (cont'd)

## WRECKER ASSEMBLY - 552B



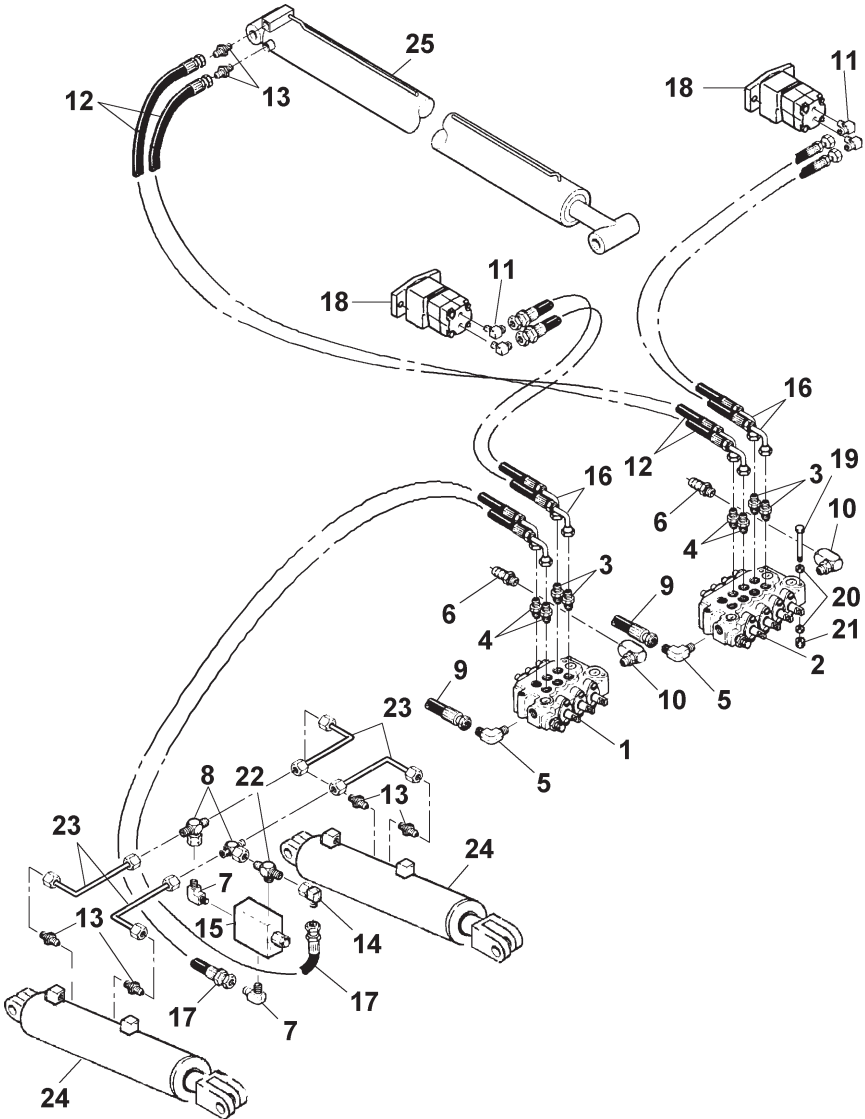
## Section VI - PARTS (cont'd)

### WRECKER ASSEMBLY - 552B

REF. NO.	NO. REQ'D	PART NUMBER	DESCRIPTION
1	2	0300110	SNAP RING, 1" INTERNAL
2	10	0300113	GREASE FITTING, ALEMITE
3	4	0300679	BEARING PAD, NYLATRON
4	2	0302793	WIRE ROPE, 7/16" X 100', 6 X 25 IWRC XXIPS
5	2	0303117	WINCH MOTOR - 552 (10CI)
6	REF.	0303534	CYLINDER, LIFT
7	4	0400060	SCREW, 1/4"-20 X 1/2" HEX HD CAP
8	1	0400121	SCREW, 3/8"-16 X 3/4" HEX HD CAP
9	8	0400126	SCREW, 3/8"-16 X 1" HEX HD CAP
10	2	0400133	SCREW, 3/8"-16 X 3" HEX HD CAP
11	4	0400196	SCREW, 1/2"-13 X 1-1/4" SOCKET HD CAP
12	1	0400191	SCREW, 1/2"-13 X 3-3/4" HEX HD CAP
13	2	0400392	NUT, 3/8"-16 NYLOK HEX
14	1	0400408	NUT, 1/2"-13 NYLOK HEX
15	4	0400452	LOCKWASHER, 1/4" HELICAL
16	9	0400482	LOCKWASHER, 3/8" HELICAL
17	4	0400491	LOCKWASHER, 1/2" HELICAL
18	2	0400585	HAIR PIN COTTER, 1-1/4"
19	1	0703082	PIN, EXTEND CYLINDER PIVOT
20	1	0703965	PAD RETAINER, BOLT-ON
21	2	0710216	SPACER, WINCH MOTOR MOUNTING
22	2	0712115	PIN, BOOM PIVOT
23	2	0712116	PIN, LIFT CYLINDER BASE END
24	1	0803416	INNER BOOM WELDMENT
25	1	0803422	PIN, EXTEND CYLINDER BASE END
26	1	0803427	OUTER BOOM WELDMENT
27	2	0900007	BOOM END SWIVEL ASSEMBLY
28	2	BI46	SPRING, COUPLING DETENT
29	2	BK325	BRAKE, BOOM DRUM BACKLASH
30	2	BK328	DISC, SPRING
31	2	EY896	KNOB, CONTROL HANDLE, BLACK
32	2	GO38	PIN, LIFT CYLINDER, ANCHOR ROD END
33	--	GO113	SHIM, TRANSMISSION MOUNTING
34	1	GO399	WINCH TRANSMISSION ASSEMBLY, R.H.
35	1	GO400	WINCH TRANSMISSION ASSEMBLY, L.H.
36	2	GO77	DRUM CABLE ASSEMBLY
37	2	GO156	CABLE TENSIONER
A	2	0400411	NUT, 1/2"-20 HEX PLAIN
B	2	0400491	LOCKWASHER, 1/2" HELICAL
C	2	0400492	WASHER, 1/2" FLAT
D	1	GO155	ANTISPOOL PLATE WELDMENT
E	2	GO157	EYELET, CABLE TENSIONER
F	1	GO158	SPRING, CABLE TENSIONER

# Section VI - PARTS (cont'd)

## WRECKER HYDRAULICS - 552B





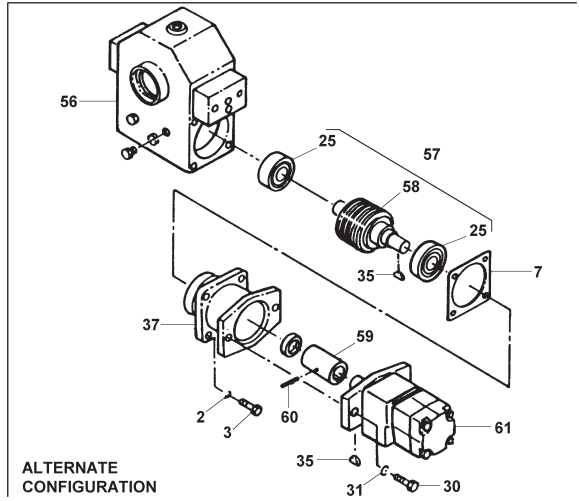
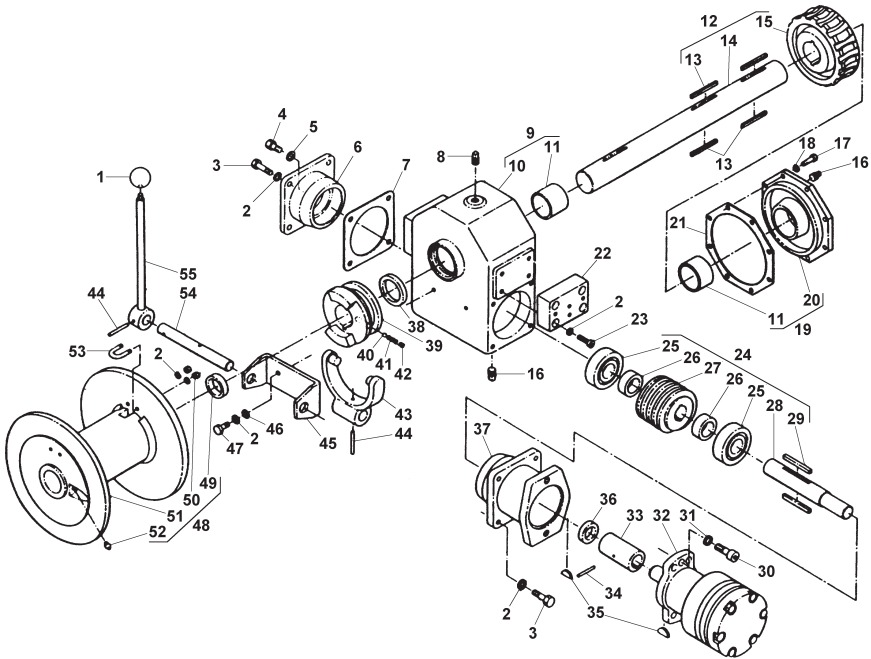
## Section VI - PARTS (cont'd)

### WRECKER HYDRAULICS - 552B

REF. NO.	NO. REQ'D	PART NUMBER	DESCRIPTION
1	REF.	0300010	VALVE, 3-SPOOL, CONTROL
2	REF.	0300011	VALVE, 4-SPOOL, CONTROL
3	4	0300041	CONNECTOR, 8MJ-8MB
4	4	0300044	CONNECTOR, 6MJ-8MB
5	2	0300052	ELBOW, 8MJ-10MB90
6	2	0300055	HOSEBARB, 12C4-12MP
7	2	0300142	ELBOW, 6MJ-4MP90
8	2	0300206	BRANCHTEE, 6MJ-6MJ-4MP
9	2	0300660	HOSE ASSEMBLY, 120"
10	2	0301375	ELBOW, 12MB-12FP90
11	4	0301376	ELBOW, 8MJ-10MB90
12	2	0301403	HOSE ASSEMBLY, EXT CYL, 80-1/2"
13	6	0301425	CONNECTOR, 6MJ-6MP
14	1	0301696	ELBOW, 6MJ-6FJX90
15	1	0301731	HOLDING VALVE, 4000 PSI
16	4	0301893	HOSE ASSEMBLY, 84"
17	4	0302601	HOSE ASSEMBLY, 40"
18	REF.	0303117	WINCH MOTOR
19	6	0400146	SCREW, 3/8"-16 X 2-1/4" X HEX HD CAP
20	6	0400392	NUT, 3/8"-16 NYLOK HEX
21	12	0400480	WASHER, 3/8" FLAT
22	1	FB111	CROSS, MALE
23	4	0303515	TUBE ASSEMBLY, LIFT CYLINDER
24	REF.	0303534	CYLINDER, LIFT
25	REF.	GO82B	CYLINDER, BOOM EXTENSION

# Section VI - PARTS (cont'd)

## WINCH & TRANSMISSION WITH MOTOR



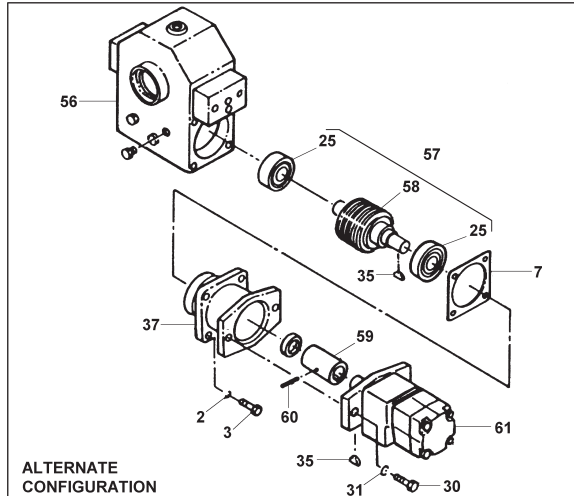
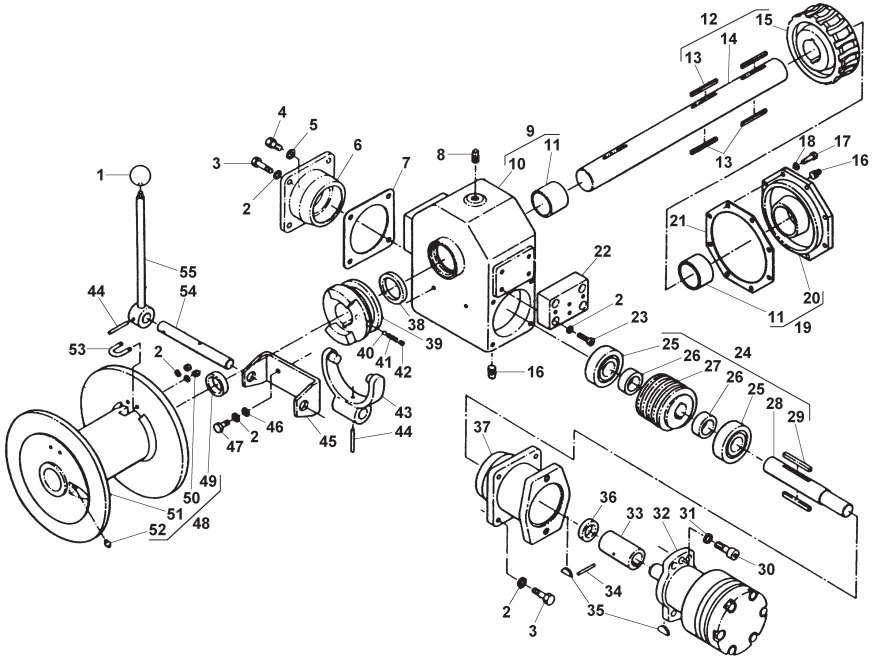
## Section VI - PARTS (cont'd)

### WINCH & TRANSMISSION WITH MOTOR

REF. NO.	PART NUMBER	DESCRIPTION
1	EY896	KNOB, CONTROL HANDLE
2	DE1394	LOCKWASHER, 3/8" HELICAL
3	DE456	SCREW, 3/8"-16 X 1-1/4" HEX HD CAP
4	DE1865	SCREW, 3/8"-16 X 1/2" HEX HD CAP
5	BI59	WASHER, COPPER
6	ET165	CARRIER, BEARING
7	ET186	GASKET, BEARING CARRIER
8	ET188	PLUG, 3/8" NPT, SQ HD VENTED
9	GO89	HOUSING ASSEMBLY, COMPLETE
10	GO109	HOUSING
11	ZZ342	BUSHING, WORM HOUSING
12	GO55	GEAR ASSEMBLY, WORM
13	ZZ347	KEY, CABLE DRUM SHAFT
14	GO40	SHAFT, WORM GEAR
15	ZZ304	GEAR WORM
16	CE1588	PLUG, 3/8" NPT, SQ HD
17	DE1866	SCREW, 5/8"-18 X 7/8" HEX HD CAP
18	DE1391	LOCKWASHER, 5/16" HELICAL
19	ET241	PLATE ASSEMBLY, END
20	ET164	CARRIER AND COVER, BEARING
21	ET169	GASKET
22	GO3	BLOCK, SPACER
23	DE504	SCREW, 3/8"-16 X 1" HEX SOCKET HD
24	ET245	SHAFT ASSEMBLY, WORM
25	FF158	BEARING, BALL, WORM SHAFT
26	ET180	SPACER
27	BI25	WORM
28	ET167	WORM SHAFT
29	ZZ346	KEY, WORM SHAFT
30	DE505	SCREW, 1/2"-13 X 1-1/4" HEX SOCKET HD
31	DE1397	LOCKWASHER, 1/2" HELICAL
32	GO80	MOTOR
33	FB204	COUPLER, MOTOR AND WINCH

# Section VI - PARTS (cont'd)

## WINCH & TRANSMISSION WITH MOTOR

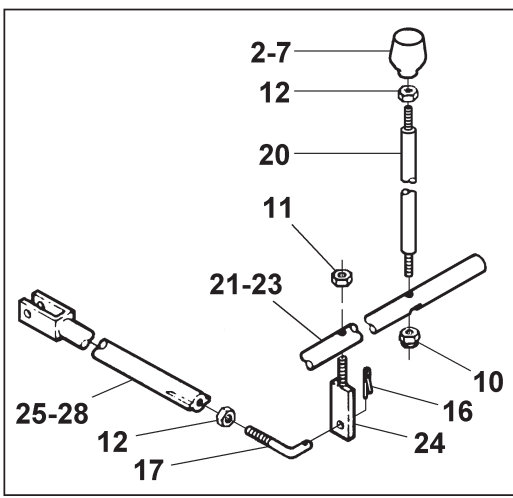
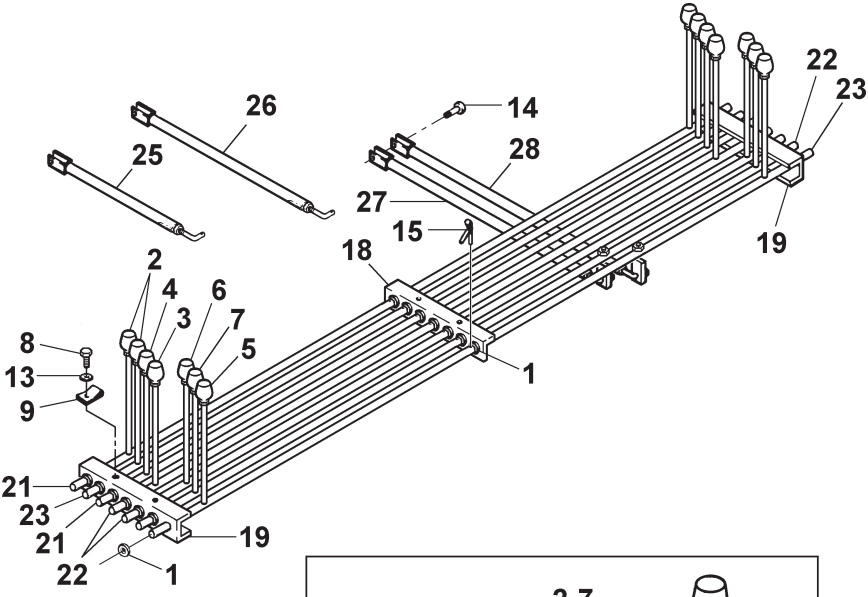


## Section VI - PARTS (cont'd)

### WINCH & TRANSMISSION WITH MOTOR

REF. NO.	PART NUMBER	DESCRIPTION
34	FB205	PIN, 1/8" X 1-5/8"
35	1028	KEY, WOODRUFF, 1/4" X 7/8"
36	4646B	SEAL, OIL, CLUTCH SHAFT
37	ET161	CARRIER, BEARING, W/HYD MOTOR MOUNT
38	ET179	SEAL, WORM GEAR SHAFT
39	ET226	CLUTCH, SLIDING
40	ET185	BALL, DETENT
41	ET184	SPRING, DETENT
42	DE846	SCREW, 5/16"-18 X 5/16" HEX SOCKET SET
43	ET182	FORK, CLUTCH SHIFTER
44	ET189	PIN, ROLL, 1/4" X 1-1/2"
45	GO41	BRACKET, CLUTCH SHIFTER
46	DE1366	WASHER, 3/8" FLAT
47	DE451	SCREW, 3/8"-16 X 3/4" HEX HD CAP
48	GO77	DRUM ASSEMBLY, SERVICE CABLE
49	ZZ426	RING, RETAINING
50	DE1016	NUT, 3/8"-16 HEX
51	GO88	DRUM, SERVICE CABLE
52	4709	GREASE FITTING, STRAIGHT, 1/4"-28
53	1034D	"U" BOLT, CABLE CLAMP, 3/8"-16
54	GO59	SHAFT, CLUTCH SHIFTER
55	GO61	HANDLE ASSEMBLY, CLUTCH SHIFTER
56	GO89B	HOUSING ASSEMBLY, COMPLETE (INTER CHANGEABLE WITH ITEMS 9 & 22)
57	ET245B	SHAFT ASSEMBLY, WORM (INTER CHANGEABLE WITH ITEM 24)
58	GO218	WORM
59	GO239	COUPLER, MOTOR & WINCH (USE WITH ITEM 61)
60	GO238	PIN, COUPLER, 7/32" X 1-5/8" (USE WITH ITEM 59)
61	GO240	MOTOR (ROLLER STATOR)
62	GO231	SEAL KIT FOR ITEM 61

# Section VI - PARTS (cont'd) CONTROL & CROSSROD ASSEMBLY



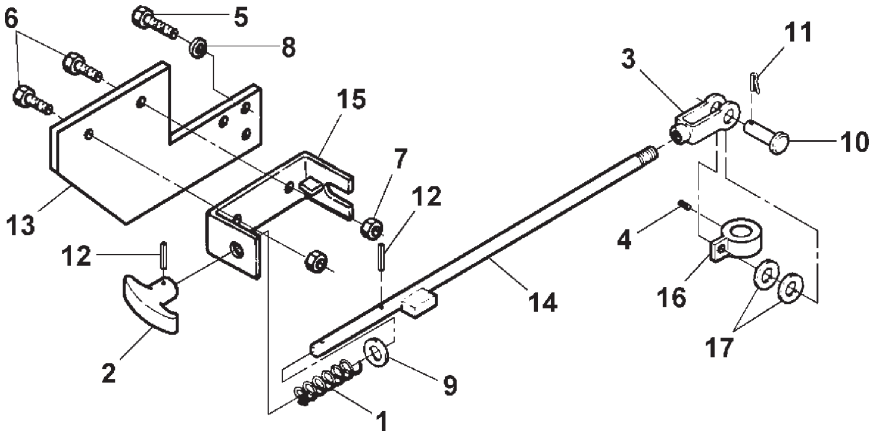
## Section VI - PARTS (cont'd)

### CONTROL & CROSSROD ASSEMBLY

REF. NO.	NO. REQ'D	PART NUMBER	DESCRIPTION
1	21	0300122	GROMMET, SPLIT PLASTIC
2	4	0300834	KNOB, CABLE "IN-OUT" (RED)
3	2	0300835	KNOB, WRECKER BOOM "UP-DN" (BLACK)
4	2	0300837	KNOB, WRECKER BOOM "IN-OUT" (BLACK)
5	2	0302856	KNOB W/L "TILT" (GRAY)
6	2	0302917	KNOB, W/L "IN-OUT" (GRAY)
7	2	0302967	KNOB, W/L "UP-DN" (GRAY)
8	6	0400066	SCREW, 1/4"-20 X 3/4" HEX HD CAP
9	6	0400370	CLIP, 1/4" TINNEMAN
10	14	0400390	NUT, 3/8"-16 HEX JAM W/NYLON PELLETT
11	7	0400392	NUT, 3/8"-16 HEX NYLON
12	21	0400393	NUT, 3/8"-16 HEX JAM
13	6	0400452	LOCKWASHER, 1/4" HELICAL
14	7	0400527	CLEVIS PIN, 5/16" X 5/8" COTTERLESS
15	14	0400539	COTTER PIN, 3/16" X 1-1/2"
16	7	0400543	COTTER PIN, 1/8" X 3/4"
17	7	0701099	EXTENSION, CONTROL ROD LONG
18	1	0703501	ANGLE, CROSS CONTROL
19	2	0704517	CHANNEL, CROSSROD BEARING
20	14	0704527	LEVER, CONTROL
21	2	0704528	CROSSROD - W/L
22	4	0705498	CROSS CONTROL ROD
23	1	0708079	CROSS CONTROL ROD
24	7	0800604	ARM, CROSS CONTROL
25	3	0801309	SHIFTER ROD, SHORT
26	2	0801310	SHIFTER ROD, MEDIUM
27	1	0801311	SHIFTER ROD, LONG
28	1	0802385	SHIFTER ROD WELDMENT

## Section VI - PARTS (cont'd)

### 552B FREEWHEEL OPTION



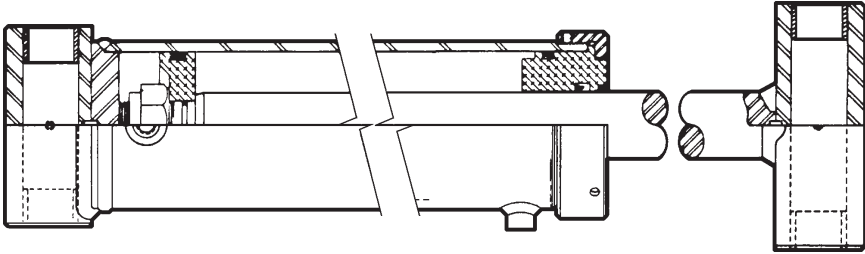
REF. NO.	NO. REQ'D	PART NUMBER	DESCRIPTION
1	1	0300845	SPRING, COMPRESSION
2	1	0301532	"T" HANDLE
3	1	0301588	ADJUSTING YOKE
4	1	0400068	SCREW, 1/4"-20 X 5/16" SET
5	3	0400122	SCREW, 3/8"-16 X 1-1/4" HEX HD CAP
6	2	0400126	SCREW, 3/8"-16 X 1" HEX HD CAP
7	2	0400392	NUT, 3/8"-16 NYLOK HEX
8	3	0400482	LOCKWASHER, 3/8" HELICAL
9	1	0400492	WASHER, 1/2" FLAT
10	1	0400537	PIN, 1/2" X 1-1/2" CLEVIS
11	1	0400546	PIN, 1/8" X 1-1/4" COTTER
12	2	0400560	PIN, 5/32" X 1" ROLL
13	1	0710559	MOUNTING PLATE, HANDLE
14	1	0803428	CONTROL ROD, 552 WINCH
15	1	0800976	MOUNTING CHANNEL
16	1	0802923	COLLAR, FREEWHEEL HANDLE
17	2	DE1381	1/2 WASHER, 17/32 ID X 1-1/16 OD



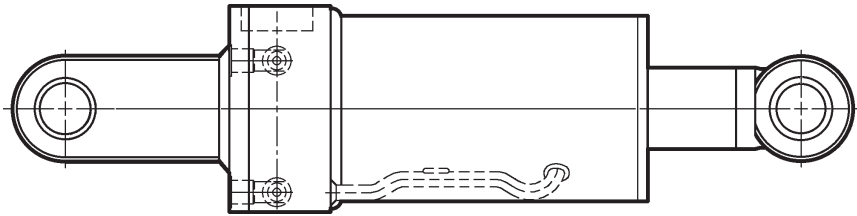


# Section VI - PARTS (cont'd)

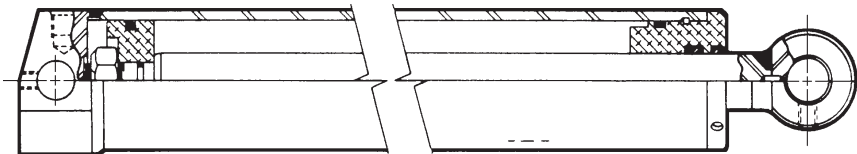
## HYDRAULIC CYLINDERS - WHEEL LIFT



REF. NO.	NO. REQ'D	PART NUMBER	DESCRIPTION
1	1	0302341	HYDRAULIC CYLINDER, LIFT (COMPLETE)
2	1	0304497	SEAL KIT, LIFT CYLINDER



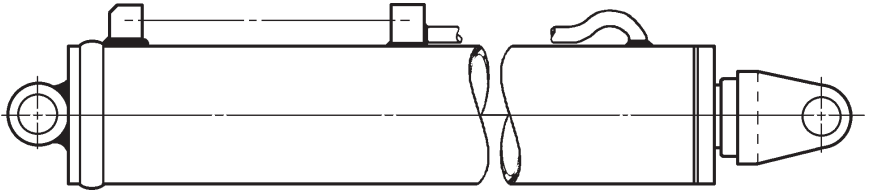
REF. NO.	NO. REQ'D	PART NUMBER	DESCRIPTION
1	1	0302356	HYDRAULIC CYL., TILT (COMPLETE) L.H.
2	1	0303257	HYDRAULIC CYL., TILT (COMPLETE) R.H.
3	2	--	SEAL KIT, TILT CYLINDER



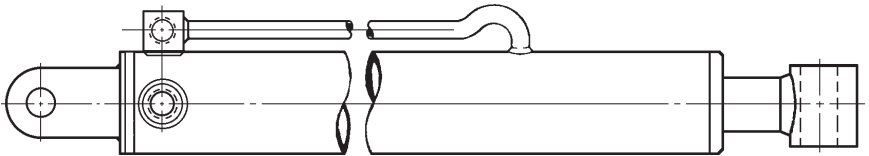
REF. NO.	NO. REQ'D	PART NUMBER	DESCRIPTION
1	1	0303065	HYDRAULIC CYLINDER, EXTEND (COMPLETE)
2	1	0304506	SEAL KIT, EXTENDCYLINDER

## Section VI - PARTS (cont'd)

### HYDRAULIC CYLINDERS - WRECKER



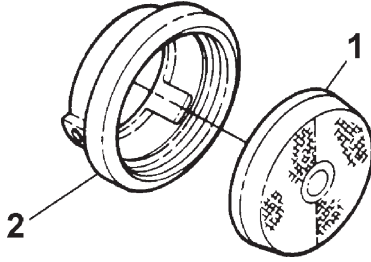
REF. NO.	NO. REQ'D	PART NUMBER	DESCRIPTION
1	1	0303534	HYDRAULIC CYLINDER, LIFT (COMPLETE)
2	1	GO197	SEAL KIT, LIFT CYLINDER



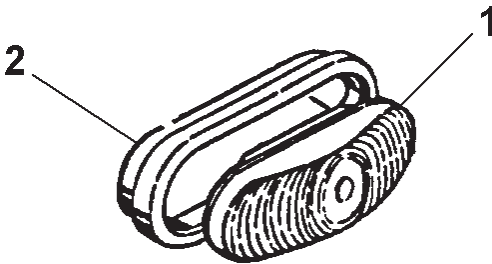
REF. NO.	NO. REQ'D	PART NUMBER	DESCRIPTION
1	1	GO82B	HYDRAULIC CYL., EXTEND (COMPLETE)
2	1	GO198	SEAL KIT, EXTEND CYLINDER

## Section VI - PARTS (cont'd)

### LIGHT KIT



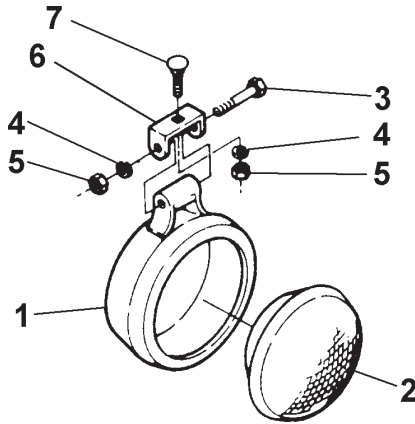
REF. NO.	NO. REQ'D	PART NUMBER	DESCRIPTION
1	4	0303125	LIGHT, SEALED MARKER, RED
	2	0303126	LIGHT, SEALED MARKER, AMBER
2	6	0303127	GROMMET, MARKER LIGHT



REF. NO.	NO. REQ'D	PART NUMBER	DESCRIPTION
1	2	0303123	LIGHT, SEALED RED, STOP & TURN
	2	0303124	LIGHT, SEALED WHITE, BACKUP
2	4	0303128	GROMMET, TAIL LIGHT

## Section VI - PARTS (cont'd)

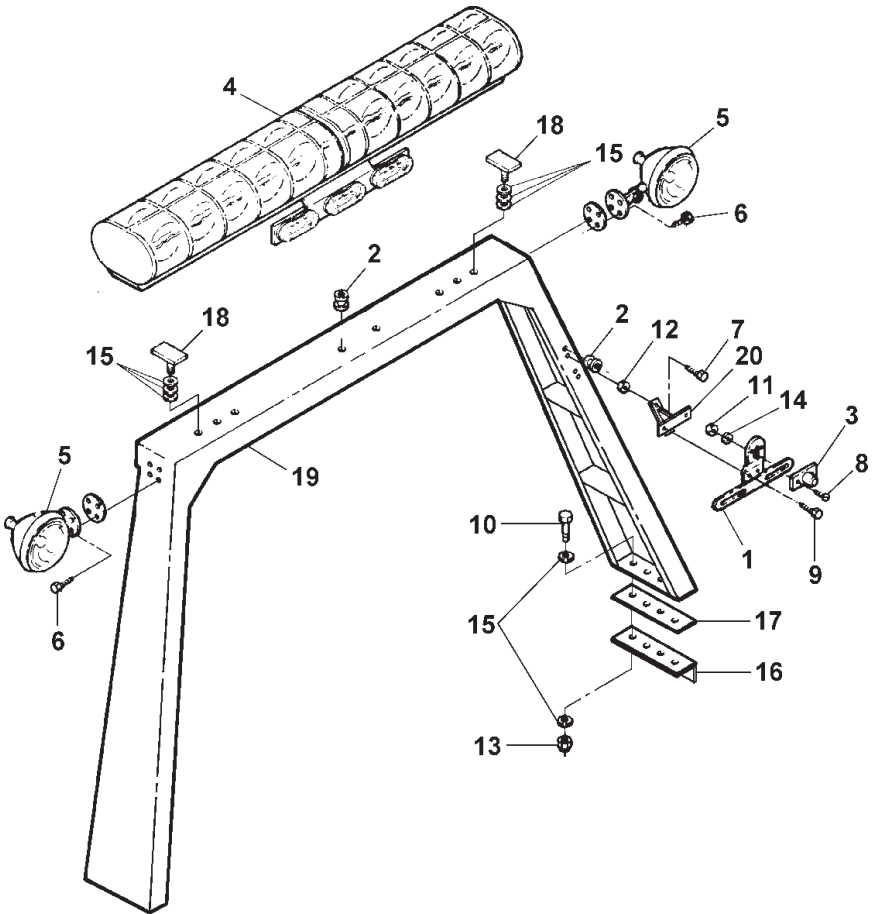
### LIGHT KIT (cont'd)



REF. NO.	NO. REQ'D	PART NUMBER	DESCRIPTION
1	1	0304147	HOUSING
2	1	0304152	BULB
3	1	0304151	PIVOT SCREW
4	2	0304150	LOCKWASHER
5	2	0304153	NUT
6	1	0301505	MOUNTING BRACKET
7	1	0304148	MOUNTING SCREW
--	1	0304149	LIGHT, BACKUP (COMPLETE)

# Section VI - PARTS (cont'd)

## LIGHTING ACCESSORIES



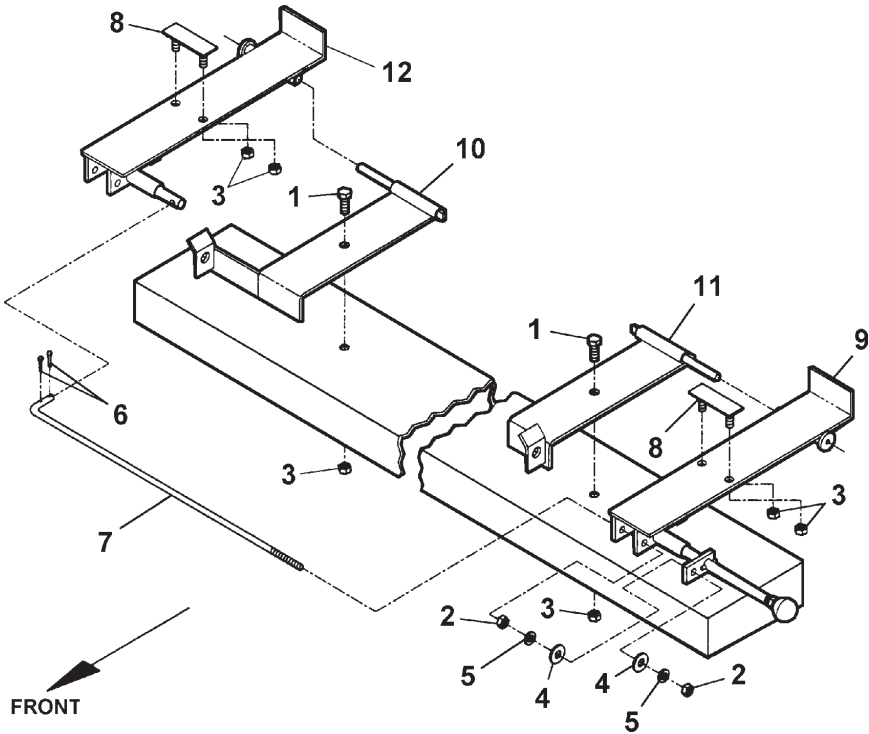
## Section VI - PARTS (cont'd)

### LIGHTING ACCESSORIES

REF. NO.	NO. REQ'D	PART NUMBER	DESCRIPTION
1	1	0300076	LICENSE PLATE HOLDER
2	2	0300117	RUBBER GROMMET
3	1	0300273	LICENSE PLATE ILLUMINATOR
4	1	0301359	WRECKER SPECIAL LIGHT
5	2	0302158	SPOTLIGHT W/GASKET
6	8	0400039	SCREW, #10-32 X 3/4" SELF-TAPPING
7	2	0400057	SCREW, 1/4"-20 X 1-1/2" HEX HD CAP
8	2	0400061	SCREW, 1/4"-20 X 3/4" PAN HD
9	2	0400062	SCREW, 1/4"-20 X 3/4" THD CUT HEX HD
10	8	0400132	SCREW, 3/8"-16 X 1-1/2" HEX HD CAP
11	2	0400366	NUT, 1/4"-20 HEX PLAIN
12	2	0400367	NUT, 1/4"-20 NYLOK HEX
13	8	0400392	NUT, 3/8"-16 HEX HD NYLOK
14	2	0400452	LOCKWASHER, 1/4"
15	22	0400480	WASHER, 3/8" FLAT
16	2	0710028	ANGLE, PYLON BASE REINFORCING
17	2	0710032	GASKET, PYLON BASE - 33" PYLON
	--	0710033	GASKET, PYLON BASE - 36" PYLON
	--	0710034	GASKET, PYLON BASE - 40" PYLON
	--	0710035	GASKET, PYLON BASE - 42" PYLON
	--	0710036	GASKET, PYLON BASE - 45" PYLON
18	2	0801777	"T" BOLT ADAPTOR
19	1	0802834	LIGHT MOUNTING PYLON - 33"
	--	0802835	LIGHT MOUNTING PYLON - 36"
	--	0802836	LIGHT MOUNTING PYLON - 40"
	--	0802837	LIGHT MOUNTING PYLON - 42"
	--	0802838	LIGHT MOUNTING PYLON - 45"
20	1	0802885	BRACKET, LICENSE PLATE MOUNTING

# Section VI - PARTS (cont'd)

## FOLD DOWN LIGHT BAR BRACKET

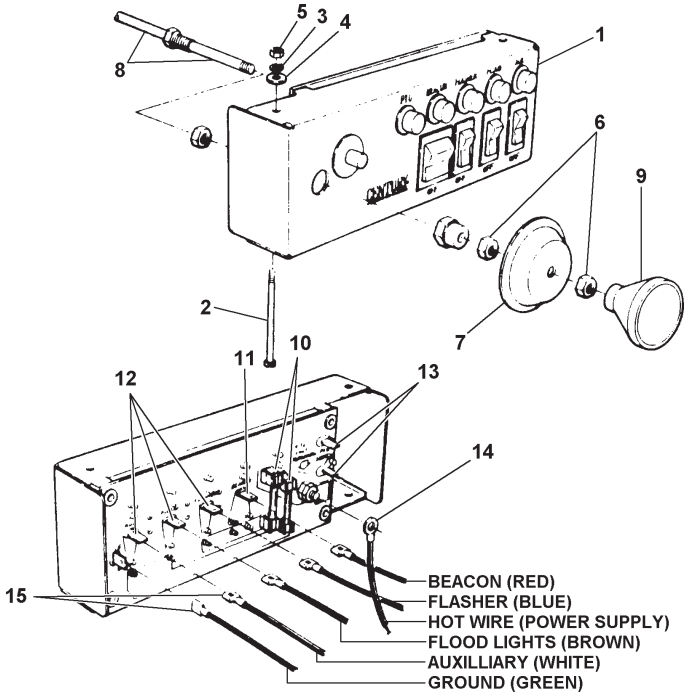


REF. NO.	NO. REQ'D	PART NUMBER	DESCRIPTION
1	2	0400126	SCREW, 3/8"-16 X 1" HEX HEAD CAP
2	2	0400381	NUT, 5/16"-18 HEX
3	6	0400392	NUT, 3/8"-16 HEX NYLOK
4	2	0400463	WASHER, 5/16" FLAT
5	2	0400464	LOCKWASHER, 5/16" HELICAL
6	2	0400453	COTTER PIN, 1/8" X 3/4"
7	1	0703886	ROD, CONNECTING
8	2	0801120	TEE BOLT - FOLD DOWN LIGHT BRACKET
9	1	0903130	L.H. BOTTOM HINGE ASSEMBLY
10	1	0903131	R.H. BOTTOM HINGE ASSEMBLY
11	1	0903132	L.H. TOP HINGE ASSEMBLY
12	1	0903133	R.H. TOP HINGE ASSEMBLY



## Section VI - PARTS (cont'd)

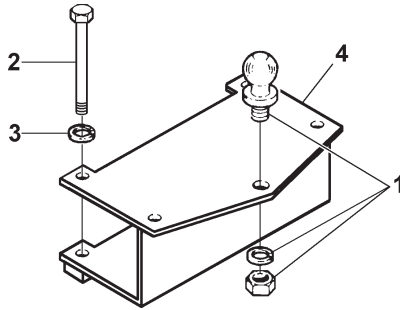
### OPTIONAL PTO PANEL



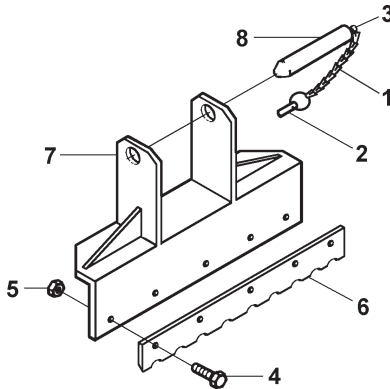
REF. NO.	NO. REQ'D	PART NUMBER	DESCRIPTION
1	1	0304155	SWITCH PANEL HOUSING
2	2	0304156	SCREW, #10-32 X 3-3/8", MTG
3	2	0304157	LOCKWASHER, #10 EXT TOOTH
4	2	0304158	WASHER, #10 FLAT
5	2	0304166	NUT, 10-32
6	2	0304160	JAM NUT
7	1	0304161	ACTUATOR DISK
8	1	--	PTO CABLE, 14 FT (*SPECIFY MAKE & MODEL OF TRUCK)
9	1	0304163	PTO KNOB
10	2	0304162	CIRCUIT BREAKER, 40 AMP
12	1	0304154	SWITCH, DOUBLE POLE, SINGLE THROW
13	2	0304006	SWITCH, SINGLE POLE, SINGLE THROW
14	1	0304164	PTO LIGHT SWITCH
15	1	0301503	RING CONNECTOR
16	3	0304165	SPADE CONNECTOR

## Section VI - PARTS (cont'd)

### WHEEL LIFT ATTACHMENTS



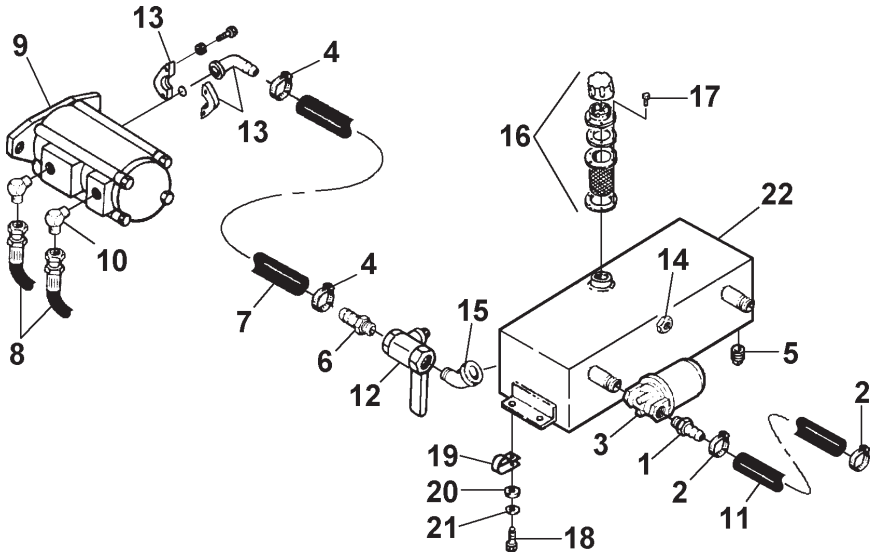
REF. NO.	NO. REQ'D	PART NUMBER	DESCRIPTION
1	1	0300091	BALL, TRAILER, 2" CHROME
2	2	0400348	SCREW, 5/8"-11 X 6" HEX HD CAP
3	2	0400508	LOCKWASHER, 5/8" HELICAL
4	1	0803002	TOWBALL BRACKET



REF. NO.	NO. REQ'D	PART NUMBER	DESCRIPTION
1	1 FT.	0300360	CHAIN, SASH #45
2	1	0301861	QUICK PIN - B7931
3	1	0400044	SCREW, #10 X 1/2" RD HD DRIVE
4	5	0400181	SCREW, 1/2"-13 X 1-1/2" HEX HD CAP
5	5	0400408	NUT 1/2"-13 NYLOK
6	1	0703459	OUTRIGGER BLADE
7	1	0802823	SPADE ATTACHMENT
8	1	0902543	SPADE PIN ASSEMBLY

## Section VI - PARTS (cont'd)

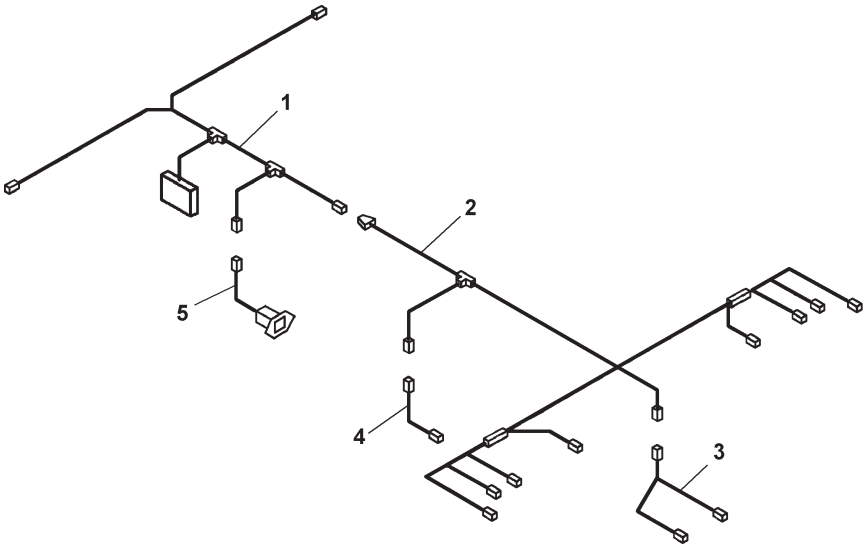
### PUMP & RESERVOIR HYDRAULICS



REF. NO.	NO. REQ'D	PART NUMBER	DESCRIPTION
1	2	0300055	HOSEBARB, 12C4-12MP
2	2	0300071	CLAMP, HOSE 1"
3	2	0300136	RETURN LINE FILTER ASSEMBLY
4	2	0300364	CLAMP, HOSE 1" - 2-1/4"
5	1	0300446	PIPE PLUG, 3/4" MALE
6	1	0300666	BARB, 24C4-24MP
7	14 FT.	0300671	HOSE, 1-1/2" SUCTION
8	REF.	0300660	HOSE ASSEMBLY, 120"
9	1	0301507	PUMP
10	2	0301547	ELBOW, 8MJ-12MB90
11	8 FT.	0301674	HOSE, 3/4" RETURN
12	1	0302088	BALL VALVE, 1-1/2" BRONZE
13	1	0302242	FLANGE FITTING, 24FL-24HOSE90
14	1	0302570	SIGHT GAUGE
15	1	0302983	ELBOW, 45° STREET, 1-1/2"
16	1	0305006	FILLER CAP ASSEMBLY
17	6	0400045	SCREW, #10-32 X 1/2" THD CUT PHILLIPS HD
18	4	0400132	SCREW, 3/8"-16 X 1-1/2" HEX HD CAP
19	4	0400243	CLIP, 3/8", "J" TYPE TINNEMAN
20	4	0400480	FLATWASHER, 3/8"
21	4	0400481	LOCKWASHER, 3/8" EXT TOOTH
22	1	0802928	RESERVOIR WELDMENT - 552B

# Section VI - PARTS (cont'd)

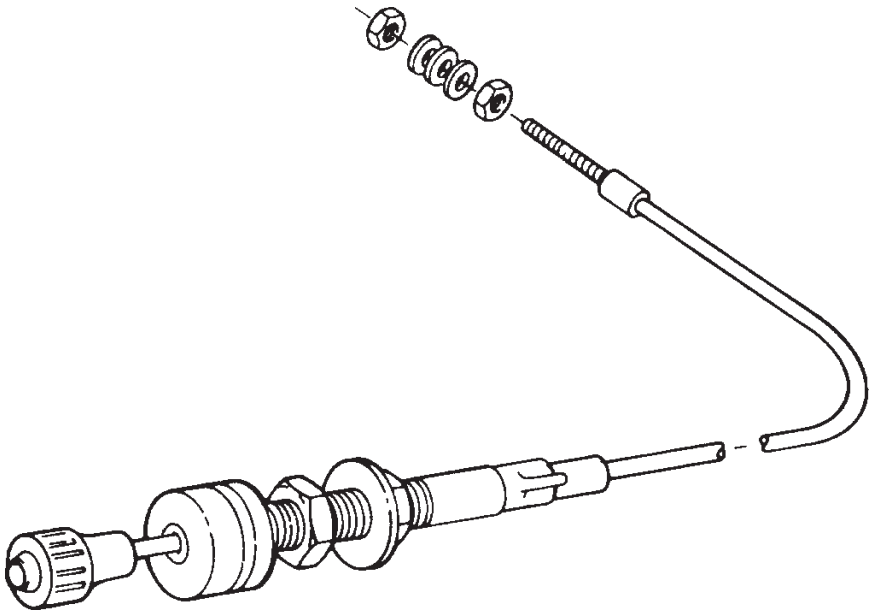
## WIRING KIT



REF. NO.	NO. REQ'D	PART NUMBER	DESCRIPTION
1	1	0303110	FRONT HARNESS & JUNCTION BOX
2	1	0303111	REAR HARNESS - FI/4400/552B
3	1	0303112	WORK LIGHT HARNESS
4	1	0303153	BACK UP ALARM HARNESS
5	1	0303113	4 POLE SOCKET & HARNESS

# Section VI - PARTS (cont'd)

## THROTTLE CONTROL



REF. NO.	NO. REQ'D	PART NUMBER	DESCRIPTION
--	1	0300182	STOP COLLAR #516
	2	0300684	THROTTLE CONTROL CABLE, 18'
	3	0300683	THROTTLE CONTROL CABLE, 20'
	4	0900377	KIT, THROTTLE, FORD & CHEVY





Miller Industries Towing Equipment Inc.  
8503 Hilltop Drive • Ooltewah, Tennessee 37363 • (423) 238-4171  
[www.millerind.com](http://www.millerind.com)